



## Kimseed International Pty Ltd

ACN 108 508 336  
4/5 Collingwood St  
Tel: 61-8-94464377  
Western Australia

ABN 37 108 508 336  
Osborne Park 6017  
Fax: 61-8-94463444  
[www.kimseed.com.au](http://www.kimseed.com.au)

Email: [kimseed@kimseed.com.au](mailto:kimseed@kimseed.com.au)

# Kimseed Chisel Seeder

The Kimseed Chisel Seeder is a robust 3 PL Category 2 rangeland seeder specially designed to limit wind and water erosion.

Used for dust control, mine rehabilitation and pasture improvement.

### Features:

- Power Requirements of 70 hp
- Operating width of 3 metres with 9 heavy duty spring tines
- Easily adjustable tine spacing to minimize soil disturbance or where improved seedbed is required.
- Simple multi seeder drum enables all types of mixed density seeds and fertilizer to be easily sown.
- Optional spring harrows for covering seeds if required



Chisel seeding Al Jouf Saudi Arabia



Results *Salsola vermiculata* planted by Chisel Seeder in Syria

Australian Native  
Seed Specialists

Seed & Revegetation  
Equipment

Engineering Design  
& Fabrication

Forestry  
Management

International Environmental  
Consultants

**Celebrating 37 years of sustainable land management**



# Kimseed Chisel Seeder

## Specifications (3m x 9 tine Chisel Seeder)

<b>Implement Type</b>	<b>3 Pt. Linkage Cat 2</b>	
Power Requirement	Min. 52 kW	( 70 HP )
Working Width	3250 mm	(128 in)
Transport Width	3250 mm	(128 in)
Tyres	6.50 x 14 6 ply GT	
Seed Cylinder Volume	0.848 cubic metres	
Actual Seed Capacity 50% of Cyl.	0.424 cubic metres	(15 cf.)
Heavy Duty Rigid Frame	100mm square tube	
Under Frame Clearance	600 – 700mm	

## Soil Working Details

Tine Spacing	Min. 200 mm	(7.8 in)
Depth of furrows	Up to 150 mm	(6 in)
Width of furrows	75 mm	(3 in)
Effective width of cut	Up to 2700 mm	(106 in)
Seeding Width	2500 mm	(98 in)

***Note: The length of the furrows are to be 20 – 30 metres with 5 metre breaks between to prevent gully erosion from forming.***

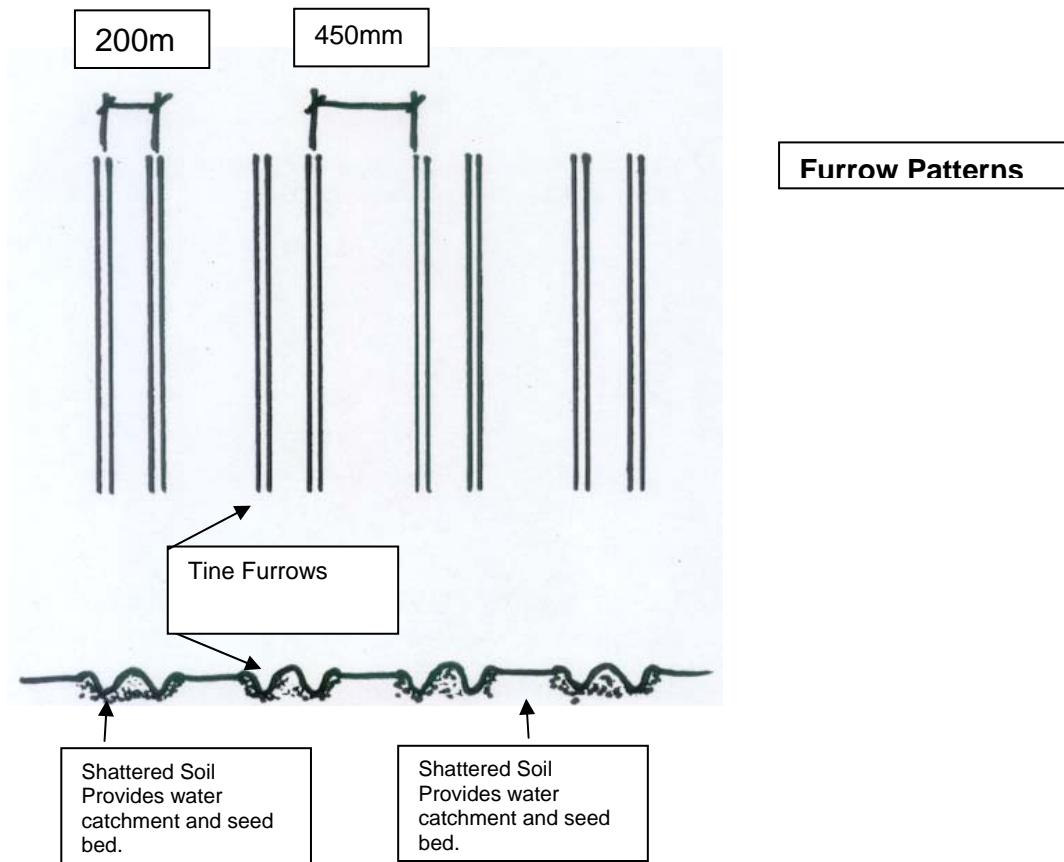
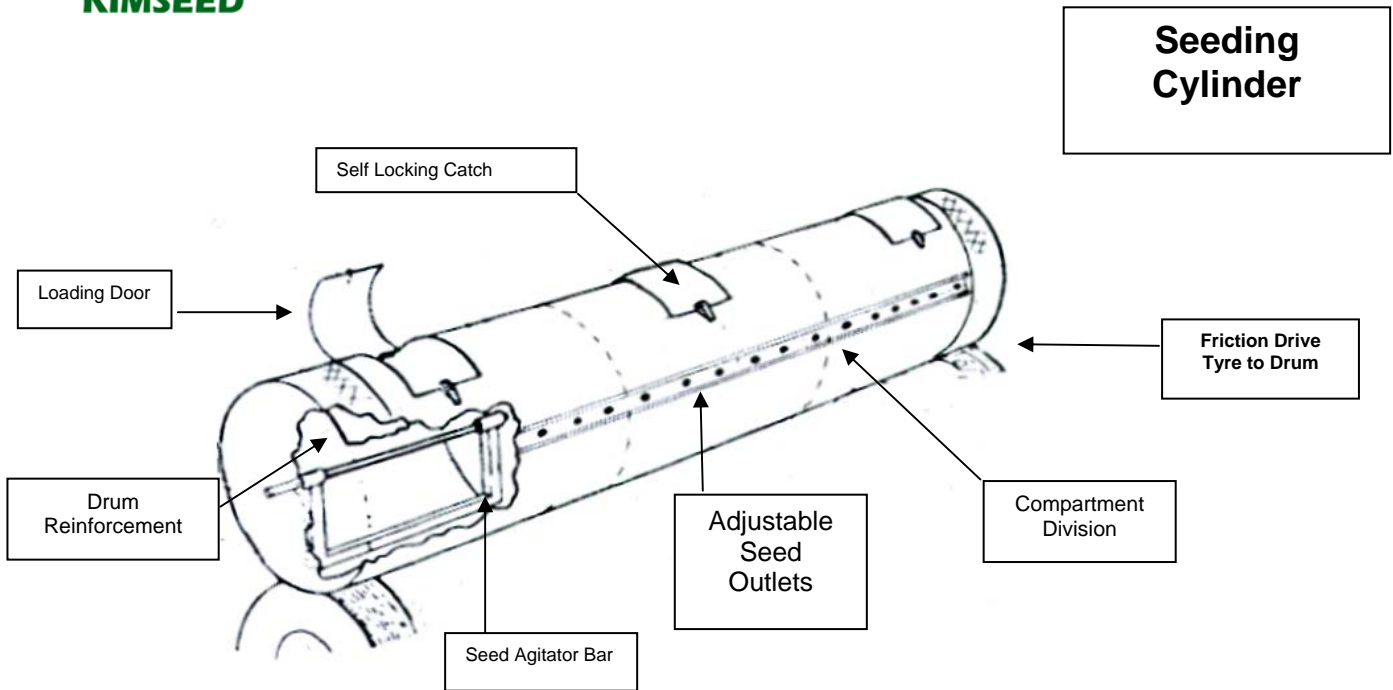
## Shipping Details

GWT	1200 Kg	(2580 lbs.)
NET WT	900 Kg	(1980 lbs.)
Crate Dimensions	3.3 m x 1.2 m x 1.2 m	(129 x 47 x 47in)

4 Machines per 20 ft Container



# Kimseed Chisel Seeder



Australian Native  
Seed Specialists

Seed & Revegetation  
Equipment

Engineering Design  
& Fabrication

Forestry  
Management

International Environmental  
Consultants

**Celebrating 35 years of sustainable land management**