



## Kimseed International Pty Ltd

ACN 108 508 336

42 Sarich Ct

Tel: 61-8-94464377

Western Australia

ABN 37 108 508 336

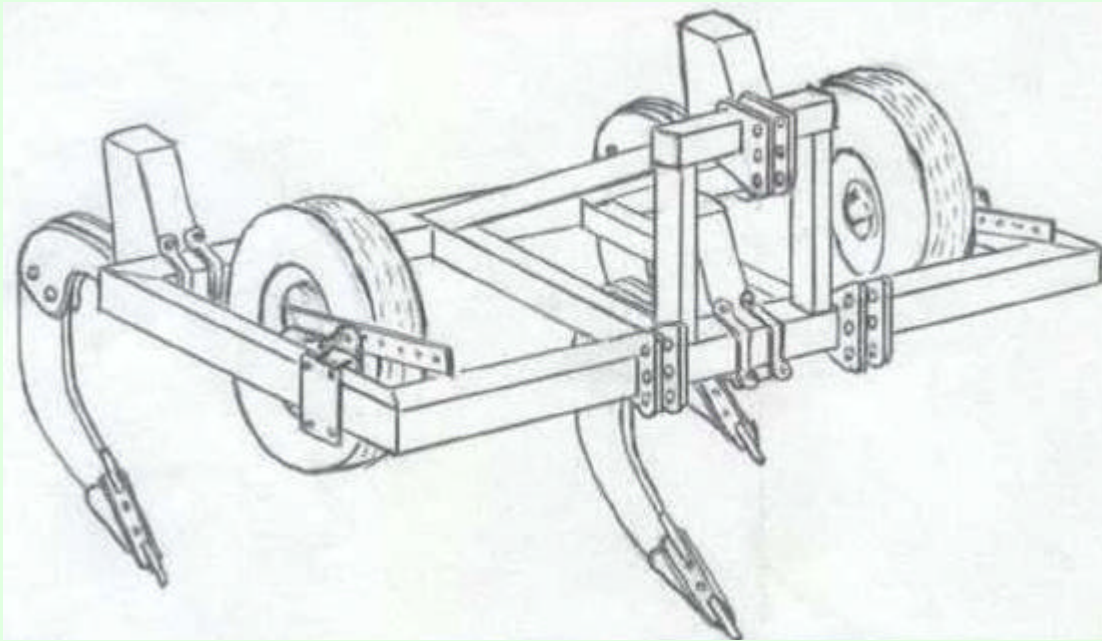
Osborne Park 6017

Fax: 61-8-94463444

[www.kimseed.com.au](http://www.kimseed.com.au)

Email: [kimseed@kimseed.com.au](mailto:kimseed@kimseed.com.au)

# Kimseed HD 2000 Linkage Subsoiler



The HD 2000 Subsoiler was designed for rootbed renovation of pastures, vineyards, horticulture crops, cereal crops and sugar cane.

### Features:

- Heavy Duty 150 mm Sq RHS frame with 3 level hitching
- 710 mm bisalloy tines with reversible bisalloy points
- Adjustable 2000 lb spring release on leaf spring system for increased durability

### Benefits of rootbed renovation:

- Increased yields
- De-compaction of hardpan increases water Infiltration.
- Increases subsoil moisture retention
- Kills weeds by lifting soil without inversion
- Aerates soil to allow soil microbes activity to increase
- Organic matter (humus) is increased
- Increased worm activity
- Soil structure improvement
- Control erosion

Australian Native  
Seed Specialists

Seed & Revegetation  
Equipment

Engineering Design  
& Fabrication

Forestry  
Management

International Environmental  
Consultants

**Celebrating 35 years of sustainable land management**