



Kimseed International Pty Ltd

ACN 108 508 336

4/5 Collingwood St

Tel: 61-8-94464377

Western Australia

ABN 37 108 508 336

Osborne Park 6017

Fax: 61-8-94463444

www.kimseed.com.au

Email: kimseed@kimseed.com.au

Kimseed Saltland /Farm Tree Seeder



The **KIMSEED Saltland Seeder** is designed to establish - by direct seeding - vegetation in salt affected soils. Non productive land can be transformed in a few years into stock forage areas.

Some good reasons to establish your living haystack this year:

- You can make money from Saltland with the **KIMSEED Saltland Seeder**
- Reduce salt encroachment into your productive soils.
- Don't pay rates on non-productive land any longer.
- In 2 years graze up to 10 sheep per/hectare for 10 weeks.
- One operator can establish up to 1 million bushes in 3 months

The Kimseed Saltland Seeder with its proven features will ensure that your revegetation work on salt affected areas will be done efficiently and successfully.

Australian Native
Seed Specialists

Seed & Revegetation
Equipment

Engineering Design
& Fabrication

Forestry
Management

International Environmental
Consultants

Celebrating 37 years of sustainable land management



Kimseed Saltland/Farm Tree Seeder

Features:

- Heavy duty agro ripper
- Vermiculite box
- Two seed boxes
- 26 " Discs with shear bolt breakout, fully adjustable in all angles to suit soil types
- Trailing press wheels for better compaction of niche seed bed

Options:

- Double row machine with road transport wheels, drawbar and lights

Special Salt Bed Preparation

The KIMSEED Saltland Seeder has a **heavy-duty ripper**, which shatters the soil to a depth of 270 mm. Young saltbushes can easily develop their root systems in the shattered soil enabling them to survive the hot dry summer ahead.

Two Opposed 660mm (26") Discs create a mound into which a niche is pressed by a large presswheel. Knobs on the large press wheel punch small holes (potential pots) into the centre of the niche, where the plover places a measured mixture of seed and vermiculite.

The Plopper and Vermiculite Feed are especially designed so that the seeder can operate efficiently at speeds up to 7 km/h depending on conditions. **Shotgun seed mixes** of any species can be metered with the new KIMSEED Multiseeder or Small Seeds Combination Seed Boxes. Disc legs are fully adjustable in lift and throw angles to suit varying soil types. They are protected from being damaged by a shear bolt system.

A Trailing Press wheel has proven to be essential. It presses the seed and vermiculite mix firmly into the holes and niche and neatly reforms the niche. This method minimizes the problem of strong winds blowing away seed and vermiculite. It also helps to retain soil moisture in the niche so that the salt leaching process can commence more effectively.

What Is Vermiculite? Vermiculite is expanded mineral flakes, which act as mulch. Absorbing many times their own weight in water, seeds are kept moist long enough to germinate.

How Does the Niche Work? Germinating saltbushes have less salt tolerance than maturing plants. Therefore it is essential to reduce the salt concentration around the seed. The base of the niche where the seed and the vermiculite are placed is 30 mm above the salt pan ground level. Rainfall caught by the niche promotes a leaching of the soil in the formed ridge and causes salt to drain downwards away from the seed.

Technical Specifications

Characteristic	Single Row	Double Row
Power Requirement:	55 H.P. (KW)	55 H.P. (KW)
Hydraulics Requirement:	D.A. @ 2500 psi (Kpa)	D.A. @ 2500 psi (Kpa)
Hitch Type:	Pin Hitch – Drawbar	Pin Hatch - Drawbar
Tyres: Road	Qty 2 7.50 x 16-8 Ply	Qty 2 7.50 x 16-12 Ply
Working: Metering Wheel	Same	Qty 2 900 x 16
Rims:	Landcruiser Stud Pattern	Landcruiser Stud Pattern
Operating Speed:	Up to 7km/h	Up to 7 km/h
Seeding Details		
Vermiculite Bin Capacity:	500 litres or 4 bags No. 2	1000 litres or 8 bags No. 2
Multi-seeder Bin Capacity:	8 litres (½ full)	16 litres (each ½ full)
Small Seeds Bin Capacity:	8 litres	16 litres
Distance between Rows:	N/A	2.0 metres
Distance between drops:	Up to 2.5 metres	Up to 2.5 metres
Dist per bin of No.2 Vermiculite	Approx. 4 kilometres @ 2m drops	approx. 4 kilometres @ 2m drops
Soil Working		
Ripper Depth:	Up to 350 mm	
Disc Size (Stand):	Dia 660 mm	
Height of mound:	Up to 300 mm	
Effective width of cut:	2-3 metres	
Overall Dimen (fully assembled)		
Length:	5 metres	7.0 metres
Width:	2.5 metres	2.5 metres
Height:	1.8 metres	1.8 metres
Net Weight:	950 kg	1975 kg

Australian Native
Seed Specialists

Seed & Revegetation
Equipment

Engineering Design
& Fabrication

Forestry
Management

International Environmental
Consultants

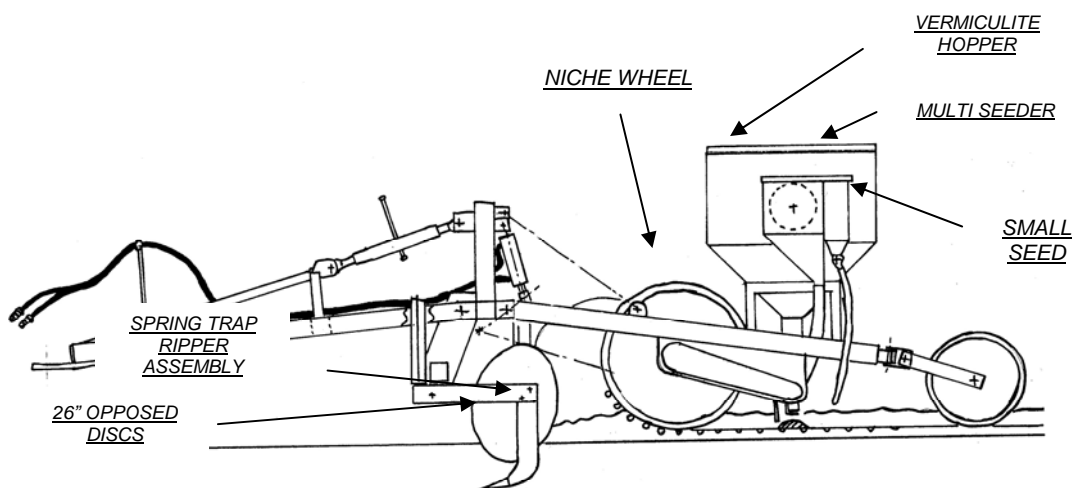
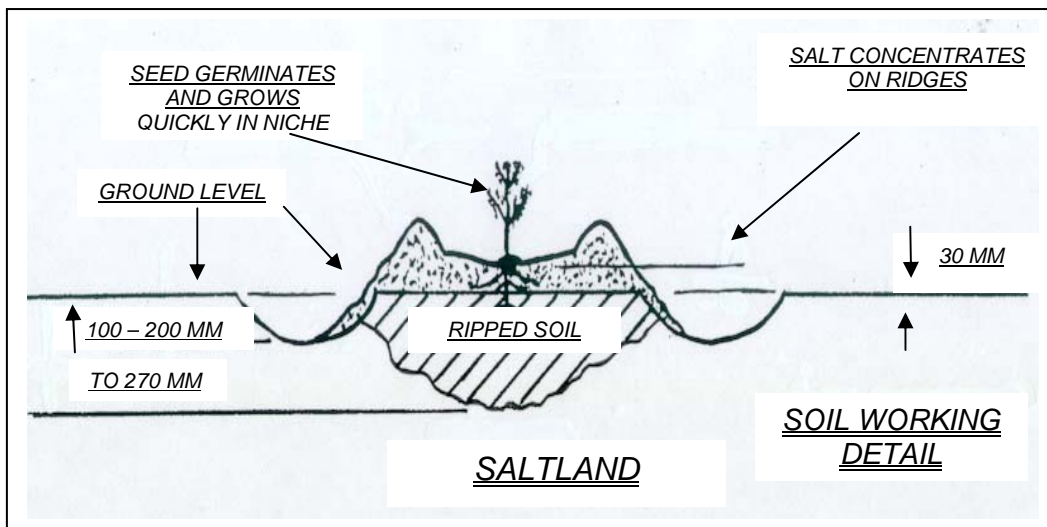
Celebrating 37 years of sustainable land management



Kimseed Saltland Seeder



Direct Seeding in Niche



KIMSEED Saltland Seeder.

Australian Native
Seed Specialists

Seed & Revegetation
Equipment

Engineering Design
& Fabrication

Forestry
Management

International Environmental
Consultants

Celebrating 37 years of sustainable land management



Kimseed Farm Tree Seeder

FODDER TREES- Legumes, among their other advantages, supply nutritious browsing while contributing nitrogen to the soil.

They make ideal windbreaks, and can reduce the flow of sub-surface water that causes waterlogging and salinity in valleys.

TAGASASTE for sandy to loam soil types.



Cattle Grazing on Tagasaste



Tagasaste Plantation

TAGASASTE (*Chamaecytisus palmensis* syn. *profler*), recovers strongly after grazing . A high protein, rapid-growing leguminous shrubby tree which thrives on sandy soils in medium to high rainfall areas, or wherever subsurface moisture is available. Previously unproductive sandy country in Western Australia is expected to carry 10 to 12 sheep per hectare under tagasaste.



Golden Wattle Plantation



Farm Tree module with Weed scraper and Press-wheel and wetting agent

Golden Wattle Western Australia is a low-cost source of protein and roughage, not a complete diet. Grows in most areas not suited tagataste.

Australian Native
Seed Specialists

Seed & Revegetation
Equipment

Engineering Design
& Fabrication

Forestry
Management

International Environmental
Consultants

Celebrating 37 years of sustainable land management