



Kimseed International Pty Ltd

ACN 108 508 336

42 Sarich Ct

Tel: 61-8-94464377

Western Australia

ABN 37 108 508 336

Osborne Park 6017

Fax: 61-8-94463444

www.kimseed.com.au

Email: kimseed@kimseed.com.au

Kimseed Trial Plot Cone Air Seeder



Kimseed have developed a new versatile **Trial Plot Cone Air Seeder** to assist agronomists in achieving accurate trial results with less effort and lower costs. Plots can be sown by one person.

Features:

- 8 Rows at 7" to 9" Spacings
- Trailed behind Tractor or 4WD
- Lift Control by **12V DC** switch from cab.
- **Battery Charger**
- Road Transport speed 80 Kph.
- Nissan or Land cruiser wheels to suit towing vehicle.
- **Latest technology tyne** assemblies, 375lb breakout Chisel Tyne.
- Standard ground tips or Tee-boot type.
- **Banded Fertiliser** brackets and tubes.
- **Diameter 450mm Belted cone** unit with quick-change gearbox.
- **10 litre Seed or Fertiliser hopper** with adjustable metering.
- **Parallel lift** to ground level to maintain even sowing depth.
- Positive depth control with clip on segments for lift ram stroke.
- **Seed from Canola through to Faba Beans.**
- **Versatile Cone & Hopper distribution**
 - Seed in Cone - Fertiliser in Hopper
 - Fertiliser in Cone - Seed in Hopper
 - Seed & Trace fertiliser in cone - Banded fertiliser in Hopper
 - Fertiliser in Cone - Seed & Trace in Hopper

Options:

- Extra hopper or Extra Cones set-ups available.
- Prickle Harrows
- Press Wheels

Australian Native
Seed Specialists

Seed & Revegetation
Equipment

Engineering Design
& Fabrication

Forestry
Management

International Environmental
Consultants

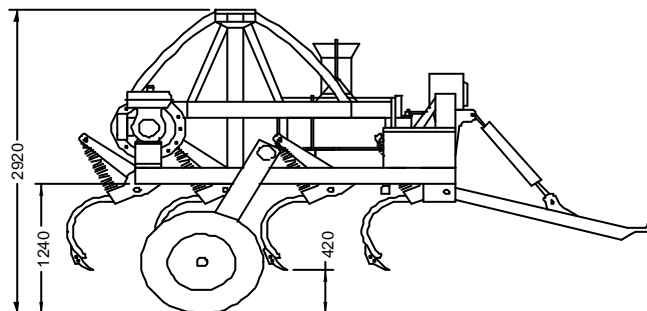
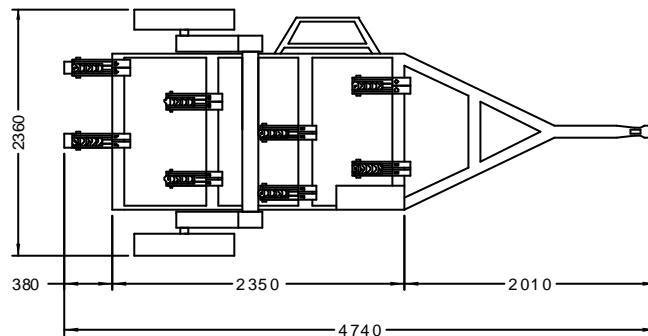
Celebrating 35 years of sustainable land management



Kimseed Trial Plot Cone Air Seeder

SPECIFICATIONS:

Draft Requirements:	4 WD or small tractor-30 hp
Battery- (for lift):	12 V Deep Cycle
Hitches:	(1) 50 mm Ball Hitch (2) Tractor Pin hitch
Tyres:	750-16-12 ply; (Cross-ply) Tyre pressure 25 psi
Lift Height & Road Clearance:	300 mm
Points/Boots:	Primary Sales
Gearbox for Cone Unit:	Zero-Max
Fan:	Petrol Driven
Hopper:	10 Litre Kimseed (Seed or Fertiliser)
Tynes:	8 x Chisel type
Tyne Spacing:	7 - 9" x 8 Rows
Plot Lengths:	6 metres to 100 metres
Transport width:	2500 mm



TRANSPORT POSITION

Working width: 2500mm

Australian Native Seed Specialists Seed & Revegetation Equipment Engineering Design & Fabrication Forestry Management International Environmental Consultants

Celebrating 35 years of sustainable land management